

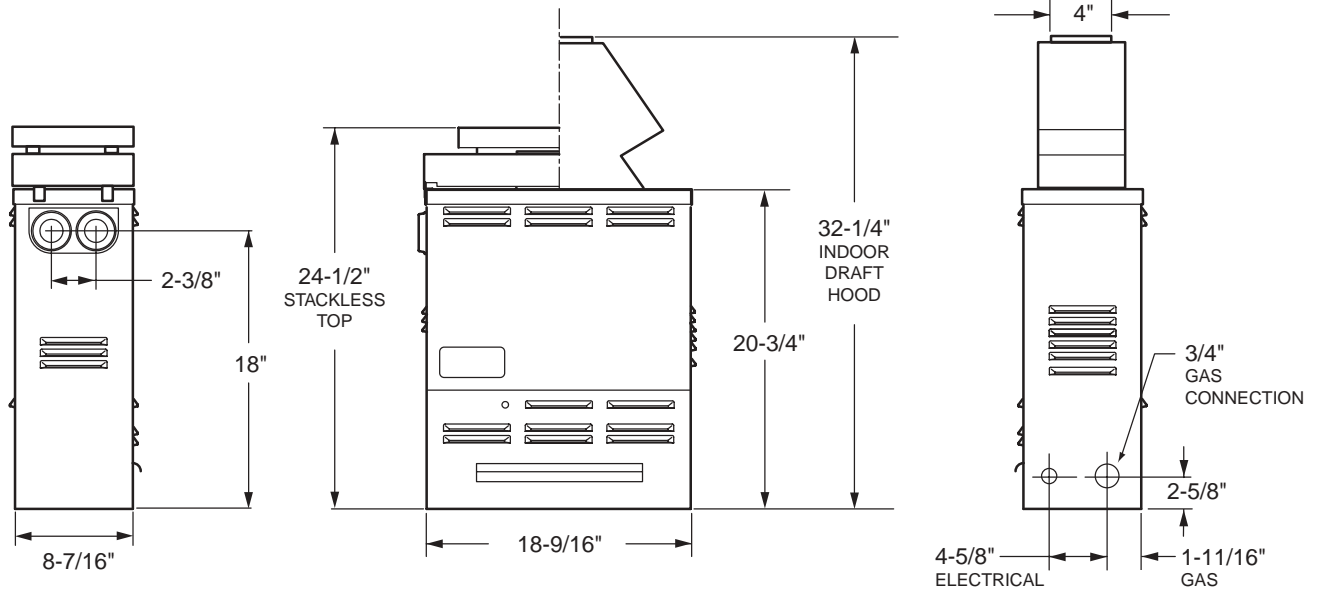
# VERSA SPA HEATER

model **055**

- 50,000 BTUH
- Natural or propane gas
- Indoor/outdoor
- User friendly control panel
- High efficiency for economical operation
- Electronic ignition or millivolt pilot
- Lightweight combustion chamber
- Copper fin tube heat exchanger design
- Completely field serviceable
- Small footprint
- Bronze castings



# VERSA-055 Spa Heater



Note: Indoor Draft Hood can be supplied but must be ordered separately.

Specifications								
Model	BTUH Input (000)	Single or Dual Temp Controls		Water Connections	Bronze Castings	Shipping Weight (lbs.)		
		Millivolt	Electronic Ignition			Heater Base	Stackless Top	Draft Hood
B-055	50	Single	Single	1-1/2"	yes	70	5	5

## How to Pick the Right Size Heater

Proper heater size is based on the time required to heat the spa. If water is heated for each intended use, energy-saving rapid heating may be appropriate. If water is gradually heated to the desired temperature and then maintained at that temperature, a smaller heater may be acceptable. To determine proper heater size, use the following formula.

$$\frac{\text{Desired water temperature (°F)} - \text{Average air temperature (°F)}}{\text{Required temperature rise (°F)}} = \text{Required time to heat pool/spa to desired water temperature (hours)}$$

$$\frac{\text{Required temperature rise (°F)}}{\text{Required time to heat pool/spa to desired water temperature (hours)}} = \text{Required temperature rise per hour (°F)}$$

Use the charts below to find the appropriate heater for your pool or spa.

	Spa Size (Gallons)					
	300	400	500	600	700	800
Temp. rise per hour	16° F	12° F	10° F	8° F	7° F	6° F

## Patented Econotherm Heat Exchanger

Your VERSA is equipped with a unique all copper fin tube heat exchanger, designed for efficient heat transfer and built to provide years of trouble-free performance. Both header castings are made of bronze for completely rust-free operation.

## Advanced Unitherm Plus Full-flow System

Condensation-free operation is assured even with low temperature inlet water. Both water temperature and flow rate inside the heater are controlled to eliminate condensation, sooting and scale buildup that can shorten heater life. More hot water moves through faster, and more efficiently.

## Two-Year Limited Warranty

Against defects in materials and workmanship (see written warranty for details). In addition, every VERSA is thoroughly tested in simulated conditions before shipment.



Raypak, Inc.

2151 Eastman Avenue, Oxnard, CA 93030, (805) 278-5300 • Fax (800) 872-9725

Raypak Canada Limited

2805 Slough Street, Mississauga, Ontario, Canada L4T 1G2. (905) 677-7999. Fax (905) 677-8036

www.raypak.com

